

Caution:

Keep the device away from any environment involving strong acids, alkaline, combustible materials, water, or any other liquids.
Do not keep in hot cars or store above the room temperature of 74F.
Do not use damaged batteries. If the battery casing is damaged, discontinue use and safely recycle the battery.
Do not use the battery if contacts become exposed to solid or liquid matter.
Shorts can result in fire or an explosion of a battery.
Do not touch coils when hot. Severe burns can result in.
Do not touch hot material. Severe burns can result in.
If the device gets too hot in use, please stop using it for a while.
Not for use with nicotine or other nicotine salt products. Not an ENDS device.

Disclaimers:

People under 21 years of age are not permitted to purchase or use this device. Non-smokers, children, and women breastfeeding should not use this product. The device is not a medical device and is not intended to diagnose, cure or prevent any diseases or other conditions. The manufacturers and sellers will not be responsible for any consequential or incidental damage resulting from the sale or use of any merchandise.

YoCan®

iCan



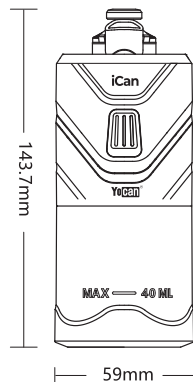
Instruction Manual

Specification:

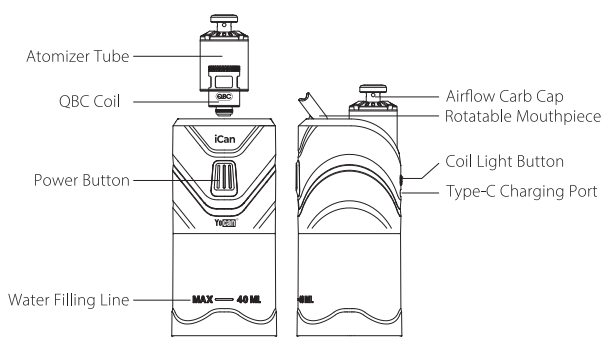
Size: $\phi 59 \times 143.7$ mm
Coil Resistance: 0.4Ω (QBC)
Battery Capacity: 1100mAh
2 Voltage Levels: Low & High
Charging Type: 5V/1A Type-C
Charging Time: 1.5h

Package Content:

1x iCan Device
1x QBC Coil
10x Cleaning Swabs
1x Type-C USB Cable
1x Instruction Manual



How To Use:



1. Pull out the water tank, fill water to the recommended water line, then put the water tank back on. Do not over fill.
2. Pull out the atomizer tube, fill the concentrate into the QBC coil and then put the atomizer tube back on.
3. Turn ON/OFF: Quickly tap the power button 5 times within 2s.
4. Adjustable voltage: quickly tap the power button 3 times to adjust the voltage.

Low: green light.

High: red light.

5. Working: On-demand mode & auto-mode.

- 1). On-demand mode: Press and hold the power button, vibration alert after 8s heating then RGB lights on, total 35s heat up time.
- 2). Auto-mode: 2 times click, vibration alert after 8s heating then RGB lights on, total 35s heat up time.

The output voltage will be your settled voltage, for the biggest clouds, press the airflow carb cap after vibration alert and release before exhale.

6. Charging: Type-C port. Fast charging not supported. The red breathing light turns off once fully charged.

Protection:

1. High-temperature protection: When the device overheats, it will automatically enter into 15 minutes cooling sleep mode, during which it cannot be used. This smart feature ensures optimal performance and protection.
2. Auto shutdown after 1.0 hour.
3. Safety cut off: 35s.
4. No load: Green light flashes 3 times if the device haven't connected coil.
5. Short-circuit: Red light flashes 5 times if the device is shorted.
6. Low battery: Red light flashes 10 times and stops working.
7. Over charge protection.
8. Lithium battery protection.