



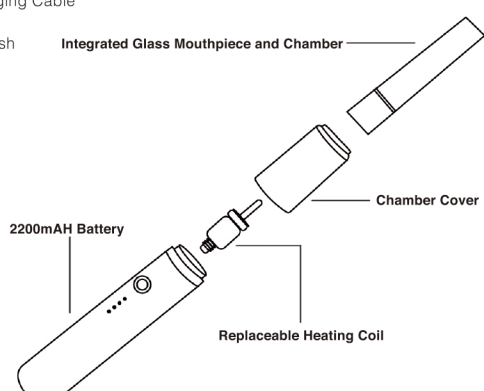
Linx Saber comes with a one year limited warranty
www.LinxVapor.com

LINX SABER

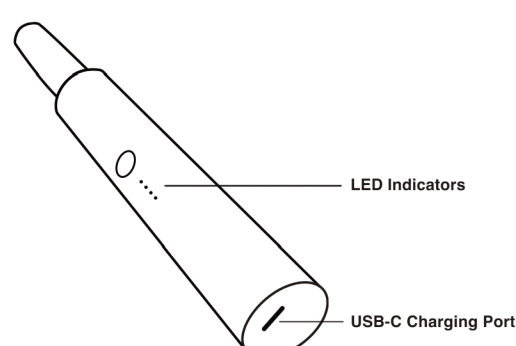
USER MANUAL

IN THE BOX

- ① 1 Linx Saber Vaporizer
- ② 1 Integrated Glass Mouthpiece and Chamber
- ③ 1 Type-C Charging Cable
- ④ 1 Cleaning Brush



CHARGING

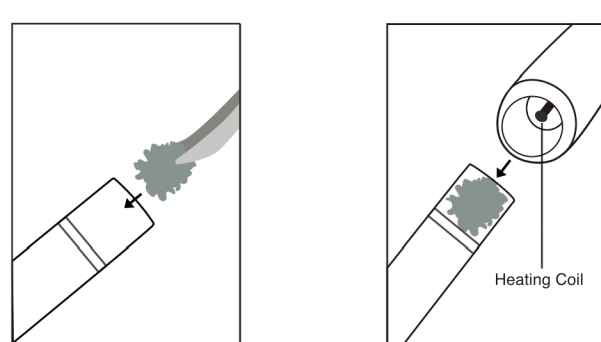


Connect one end of the Type-C charging cable to the bottom of the device and the other end to a power source.

The four LED indicators will show red during charging to indicate the battery level. When fully charged, all lights will turn green.

** It will take approximately 2-3 hours to reach a full charge.*

LOADING



Flip over the Integrated Mouthpiece and Chamber. Load the ground herb into the Chamber.

** Do not overpack the Chamber as it may cause restricted airflow.*

Insert the loaded Glass Mouthpiece&Chamber.

** Please ensure the Heating Coil is centrally positioned in the herb for even heat.*

POWER ON/OFF

- 4 LED: 446F/230C
- 3 LED: 428F/220C
- 2 LED: 410F/210C
- 1 LED: 374F/190C



Press the Power Button 5 times quickly to power the device on or off, with a vibration confirmation.

TEMPERATURE SETTINGS

Press the Power Button 3 times quickly to cycle through four temperature settings. The Power Button blinks during heating and turns green with a vibration when ready to vape.

CLEANING INSTRUCTIONS

Make sure the device is powered off and cool to the touch.

Unplug the Integrated Mouthpiece and Chamber. Then, unscrew the Chamber Cover and the Heating Coil. Soak the pieces in Isopropyl Alcohol. Gently clean each piece, then set them aside to air dry.

Using Isopropyl Alcohol and cotton swabs, lightly swab the surface of the metal part on the battery.

**Please be sure not to soak the battery in Isopropyl Alcohol.*

PRO TIPS

BATTERY LEVEL INDICATOR

When the LED lights turn white, it indicates the battery level.

1 LED: 25% 2 LED: 50% 3 LED: 75% 4 LED: 100%

LOW POWER

The device blinks red to indicate low battery power. Please charge the battery fully before your next use.

OPEN CIRCUIT

The LED lights flash yellow 3 times to indicate that the Heating Coil is not properly connected to the battery. Reattach the Coil, and if the problem persists, please contact our support team.

SHORT CIRCUIT

The LED lights quickly flash yellow 4 times, indicating that the device has entered short circuit protection mode. Please unscrew and then reattach the Heating Coil. If the problem persists, please replace the Heating Coil.

ABOUT SAFETY

Do not use this device while charging. This will cause damage to the device.

To prevent the device from overheating, do not leave it charging overnight.

Do not charge unit on bare carpet or rugs.

Do not drop, deform, bend, crush, puncture, microwave or paint this device.

Take caution and dispose in the correct receptacle. Do not dispose in trash.

Keep this device away from children.

Use caution when handling this device, the atomizer area will become hot during use and while cleaning.

Do not clean this device in any way other than instructed by Linx Vapor.

Do not attempt to repair or modify this device yourself.

Do not use in extreme environments such as high temperatures, high humidity, and avoid contact with liquids during use.

Do not use a damaged Linx charger or non-Linx charger. Incompatible chargers may carry a different voltage. Use only the charger provided. Failure to do so voids the limited warranty offered on Linx products.

LEGAL DISCLAIMER

Do not allow children, women who are pregnant or breastfeeding or those with a life-threatening illness to use this device. Linx Vapor and its affiliates are not responsible for any damage or personal injury caused by inappropriate, incorrect or irresponsible use of the device. The Linx Saber is not a medical device and is not intended to diagnose, cure, treat or prevent any disease or other conditions. If you have any health problems, consult your doctor before using the Linx Saber. The Linx Saber is not intended to administer medical or illegal products of any kind, doing so voids the warranty. Any illegal use of this device could subject the user to severe fines, penalties, and/or imprisonment under the law of local jurisdiction.

